

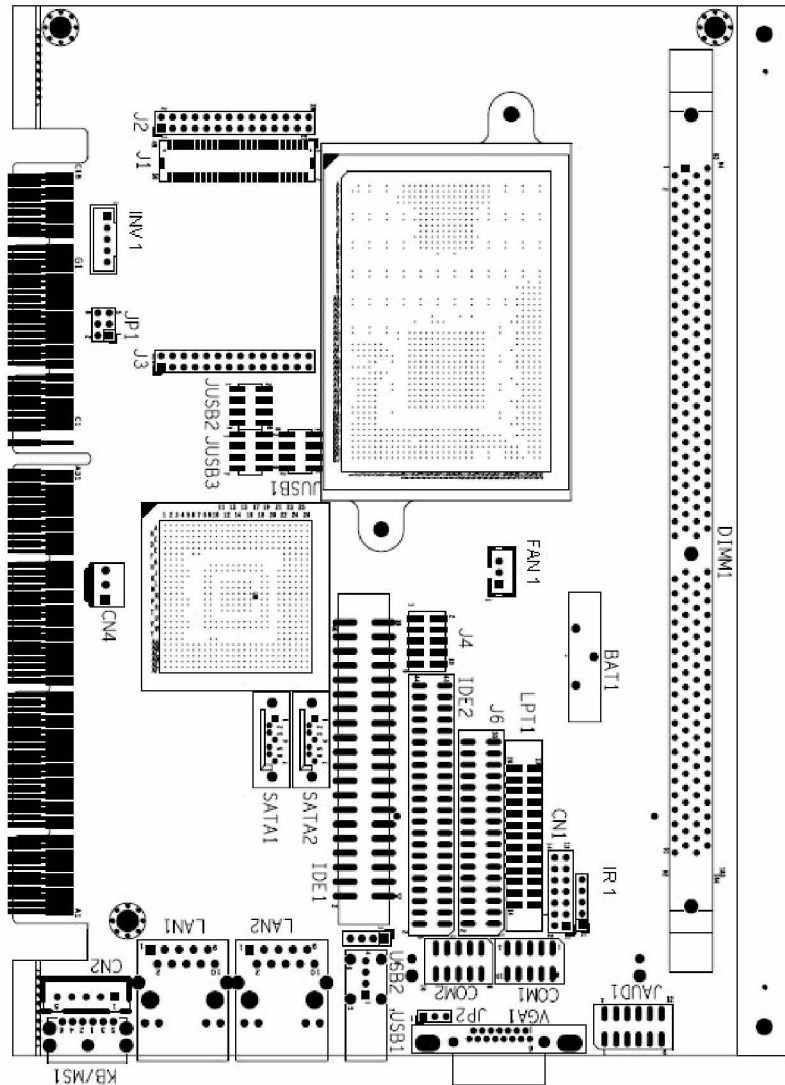
**This Page is Intentionally Left Blank.**



**Quick Installation Guide**

**3301620**

## Board Layout: Jumper and Connector Locations



Half-size SBC VIA LUKE, CRT/LCD, Dual GbE,  
SATA and Audio

# 3301620 Quick Installation Guide

Version 1.0

May. 05, 2006

## Package Contents

3301620 package includes the following items:

- ò 1x 3301620 single board computer
- ò 1x ATA66/100 HDD cable
- ò 2x SATA cable
- ò 1x SATA Power cable
- ò 1x KB/PS2 Mouse Y cable
- ò 1x RS232 cable
- ò 1x USB cable
- ò 1x Audio cable
- ò 1 x mini jumper pack
- ò 1 x Utility CD
- ò 1 x QIG (quick installation guide)

## Specifications

- ò CPU: VIA LUKE 533Mhz/1G
- ò System Chipset: VIA VT8237R+
- ò System memory: 1x DDR DIMM socket support up to 1GB
- ò Ethernet: RTL8110S GbE
- ò I/O
  - I/O Interface:
    - 7 x USB 2.0( 1 in rear,6 by pin header)
    - 2 x SATA
    - 1 x LPT
    - 1 x CFII
    - 2 x RS-232
    - 2 x PS/2 keyboard/mouse
    - 1 x FDD
    - 2 x IDE
  - Supper I/O: W83697HG
    - IrDA by supper I/O
    - Digital I/O:4 input / 4output
- ò Display: CRT integrated in VIA LUKE, 24 bit TTL integrated in VIA LUKE,Optional: 2x18 bit/2x 24 bit LVDS by ILUKE-LVDS
- ò Audio: AC'97 2.3 Realtek ALC655
- ò Power supply: +5V± 5%, AT/ATX power support
- ò Power Consumption:
  - 5V@2A, 12V@0.073A
  - LUKE-1G, 256MB/DDR400
- ò Temperature: 0 ~ 60°C( 32 ~ 140°F)
- ò Watchdog timer: Software programable 1-255 sec. by supper I/O

J2 : LVDS (PIN header)			
PIN NO.	DESCRIPTION	PIN NO.	DESCRIPTION
1	FP6	2	FP7
3	FP4	4	FP5
5	FP2	6	FP3
7	FP0	8	FP1
9	FP6	10	FP7
11	FP22	12	FP23
13	FP20	14	FP21
15	FP18	16	FP19
17	FP16	18	FP17
19	FP22	20	FP23
21	GND	22	+2.5V
23	GND	24	+2.5V
25	GND	26	+2.5V
27	GND	28	+2.5V

J3 : LVDS (PIN header)			
PIN NO.	DESCRIPTION	PIN NO.	DESCRIPTION
1	FPCLKP	2	FPCLKN
3	FPCLKP	4	FPCLKN
5	FP14	6	FP15
7	FP12	8	FP13
9	FP10	10	FP11
11	FP8	12	FP9
13	FP14	14	FP15
15	FPDEN	16	FPHS
17	FPDEN	18	FPHS
19	FPVS	20	+2.5V
21	FPVS	22	+2.5V
23	GND	24	+2.5V
25	GND	26	+2.5V
27	GND	28	+2.5V

TTL1 : TTL Connector			
PIN NO.	DESCRIPTION	PIN NO.	DESCRIPTION
2	+LCD	1	+LCD
4	GND	3	GND
6	+LCD	5	N/C
8	GND	7	DATA 10
10	FPP1	9	FPP2
12	FPP3	11	FPP4
14	FPP5	13	FPP6
16	FPP7	15	FPP8
18	FPP9	17	FPP10
20	FPP11	19	FPP12
22	FPP13	21	FPP14
24	FPP15	23	FPP16
26	FPP17	25	FPP18
28	FPP19	27	FPP20
30	FPP21	29	FPP22
32	FPP23	31	FPP24
34	GND	33	GND
36	FPPVS	35	FPPCLKP
38	FPPHS	37	FPPDEN
40	ENPPVEE	39	N/C

## Ordering Information

### Standard

3301620A \_\_\_\_\_

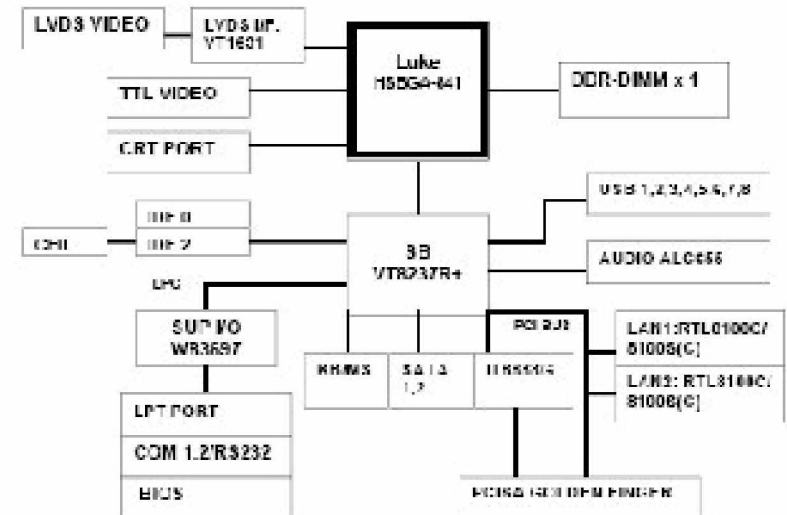
Half-size SBC VIA LUKE 533 MHz processor, CRT/LCD,Dual GbE, SATA and Audio

3301620B \_\_\_\_\_

Half-size SBC VIA LUKE 1GHz processor, CRT/LCD,Dual GbE, SATA and Audio

### Optional:

1. Dual 18/24 bit LVDS Function Daughter board
2. FDD cable
3. LPT cable



## Jumpers setting and Connectors

JP2: CF card setup	
JP2	DESCRIPTION
2-3	Slave(Default)
1-2	Master

JP1: LCD voltage setup	
PIN	DESCRIPTION
3-4	5V(Default)
1-2	3V
5-6	12V

J4 : Clear CMOS Setup (2 x 5 pin; 2.0mm pitch)	
J4	DESCRIPTION
1-2	Normal Operation
2-3	Clear CMOS Setup

CN1 : System Panel Connectors			
PIN NO.	DESCRIPTION	PIN NO.	DESCRIPTION
1-5	POWER LED	2-8	SPEAKER
7-9	PWR BUTTON	12-14	RESET
11-13	HDLED		

DIO1 : GPIO Connector			
PIN NO.	DESCRIPTION	PIN NO.	DESCRIPTION
1	GND	2	5V
3	GP0	4	GP1
5	GP2	6	GP3
7	GP4	8	GP5
9	GP6	10	GP7

COM1,COM2 Connector(RS-232)			
PIN	DESCRIPTION	PIN	DESCRIPTION
1	NDCD	2	NDSR
3	NRX	4	NRTS
5	NTX	6	NCTS
7	NDTR	8	NRI
9	GND	10	N/C

INV1 : Inverter Power Connector	
PIN	DESCRIPTION
1	NC
2	GND
3	12V
4	GND
5	EN_BL

IR1 : IR Interface (1 x 5 pin; 2.0mm pitch)	
PIN	DESCRIPTION
1	5V
2	NC
3	IRRX
4	GND
5	IRTX

JUSB1 : USB(3~4) Connector (2 x 4 pin; 2.0mm pitch) JUSB2 : USB(5~6) Connector (2 x 4 pin; 2.0mm pitch) JUSB3 : USB(7~8) Connector (2 x 4 pin; 2.0mm pitch)			
PIN	DESCRIPTION	PIN	DESCRIPTION
1	+5V	2	GND
3	USB_DT2-	4	USB_DT3+
5	USB_DT2+	6	USB_DT3-
7	GND	8	+5V

FAN1 : Fan Connector	
PIN	DESCRIPTION
1	Fan Speed Detect
2	+5V
3	GND

CN4 : ATX PSON Connector	
PIN	DESCRIPTION
1	5V
2	PS_ON
3	GND

CN2 : K/B (PIN header)	
PIN	DESCRIPTION
1	L_KCLK
2	L_KDAT
3	NC
4	GND
5	+5V

Any advice or comments about our products and service, or anything we can help you with please don't hesitate to contact with us. We will do our best to support you for your products, projects and business

### **Global American Inc.**

Address: 17 Hampshire Drive  
Hudson, NH 03051

TEL: Toll Free (U.S. Only) 800-833-8999  
(603)886-3900

FAX: (603)886-4545

Website: <http://www.globalamericaninc.com>

E-Mail: [salesinfo@globalamericaninc.com](mailto:salesinfo@globalamericaninc.com)

