



Quick Installation Guide

2907510

Copyright® 2006

All Rights Reserved.

The information in this document is subject to change without prior notice in order to improve the reliability, design and function. It does not represent a commitment on the part of the manufacturer.

Under no circumstances will the manufacturer be liable for any direct, indirect, special, incidental, or consequential damages arising from the use or inability to use the product or documentation, even if advised of the possibility of such damages.

This document contains proprietary information protected by copyright. All rights are reserved. No part of this manual may be reproduced by any mechanical, electronic, or other means in any form without prior written permission of the manufacturer.

About this installation guide

This manual provides general information and installation instructions about the product. This Quick Installation is intended for experienced users and integrators with hardware knowledge of personal computers. If you are not sure about any description in this Quick Installation, please consult your vendor before further handling.


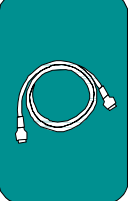

Warning

Panel PC and their components contain very delicate Integrated Circuits (IC). To protect the Panel PC and its components against damage from static electricity, you should always follow the following precautions when handling it :

1. Disconnect your Panel PC from the power source when you want to work on the inside
2. Hold the board by the edges and try not to touch the IC chips, leads or circuitry
3. Use a grounded wrist strap when handling computer components.
4. Place components on a grounded antistatic pad or on the bag that came with the Single Board Computer, whenever components are separated from the system
5. It possibly needs BIOS support in the case of using special backplane, otherwise, it might be not able to function completely.
6. Please make sure the power connector is tightly plugged into the power socket before power on.

Getting Started

This section will help you have your 2907510 up and running smoothly.

PACKING LIST	
	2907510
	1 x DC-DC Adapter 4 x Screws 4 x LCD Hook 1 x Grounding Cable 1 x IDE Cable 1 x Print Cable 1 x Y Cable
	1 x Driver CD

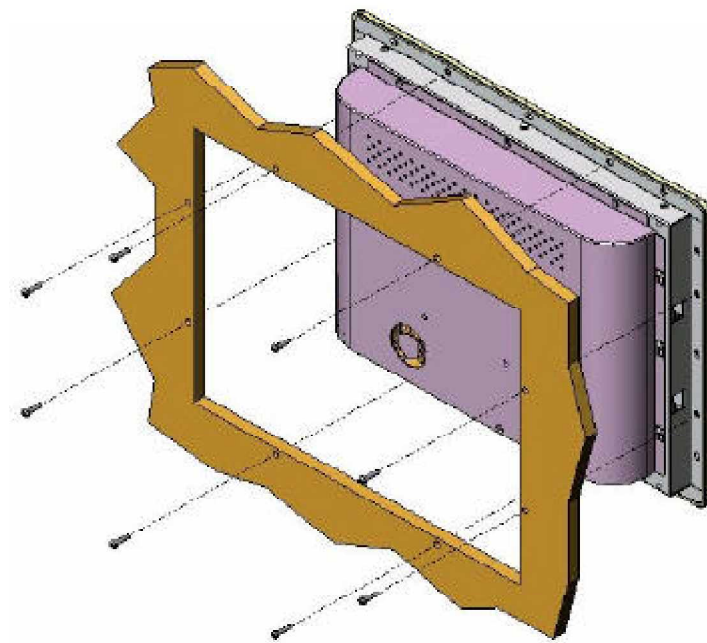
Before up and running, please make sure the package contains all of above accessories.

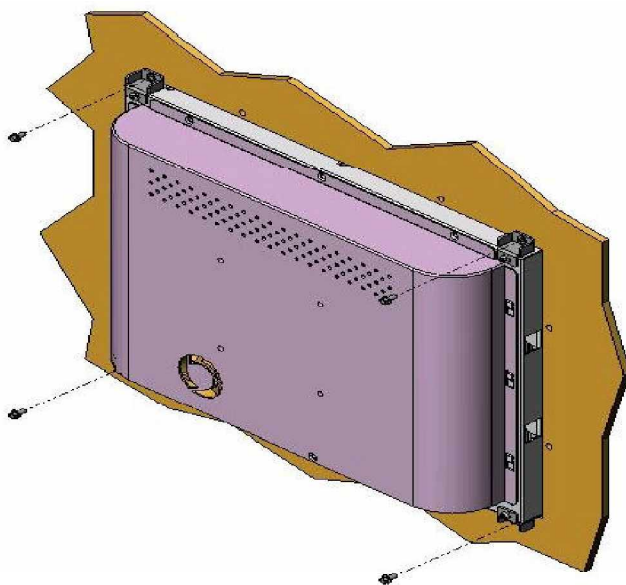
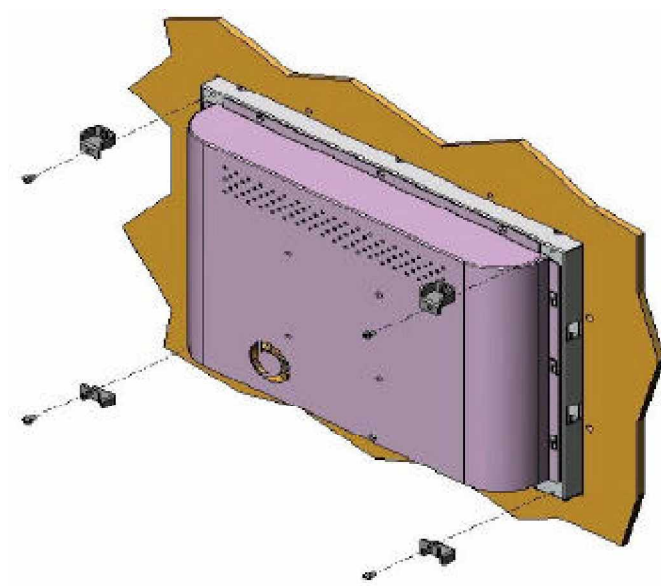
If any of the above items is damaged or missing, contact your vendor immediately.

Specification		
Model Name	Panel PC 2907510	
System	CPU	Intel Low Voltage Celeron 400~733MHz CPU FSB100/133MHz
	Cache	2nd Level 256K
	Memory	default 256MB SDRAM on board, up to 512MB (1 x 144 pin SO-DIMM Socket)
	VRAM	SMI722 G8 Lynx 3D+ engine 8MB Video RAM on chip
	Chipset	Intel 815E + Intel CH2
	ATA / IDE	Ultra DMA 33, support 2 IDE device
	Watchdog Timer	127-level Reset
	System Fan	1 x 4cm x 4cm / 8 CFM Serial
I/O	Port	3 x RS-232 ports (COM1/2/3)
	USB Port	2 x USB 1.1 compliant
	KB / MS	1 x PS2 K/B and Mouse
	LAN	RJ45
LCD Display	Size / Type	12.1" TFT Color LCD
	Max. Resolution	800 x 600, SVGA
	Pixel Pitch	0.3075mm x 0.3075mm
	Touch Screen	12.1" Resistive (Com 4)
	Viewing Angle	160° (V), 160° (H)
	Luminance (cd/m ²)	300
Storage	Back Light MTBF	50,000 hours
	HDD / Type	1 x built-in 2.5" vibration Resistant HDD bay Flash
Power Supply	Disk	1 x Type II Compact Flash Disk Socket (Internal)
	Output rating	150W
Mechanical & Environmental	Input voltage	DC 18 ~ 32V or AC 90 ~ 260V (optional)
	Operating Temp.	0° C ~ 50° C
	Storage Humidity	5% ~ 95%, non condensing
	Vibration	17~500 Hz, 1G PTP
	Shock	10G/peak (11m sec)
	Construction	Heavy-duty steel & Aluminum (Front bezel)
	Weight	3.5kg (7.7 lb)
	Dimension (L x H x D)	329 x 254 x 63.8mm

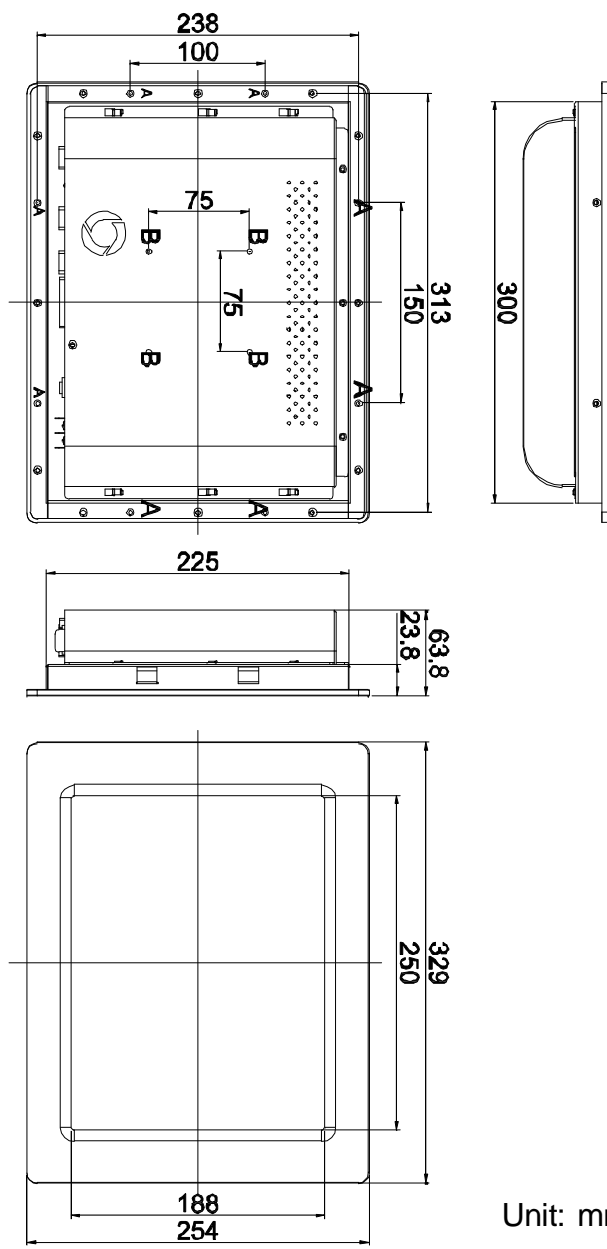
Mounting

Wall Mounting





Dimension

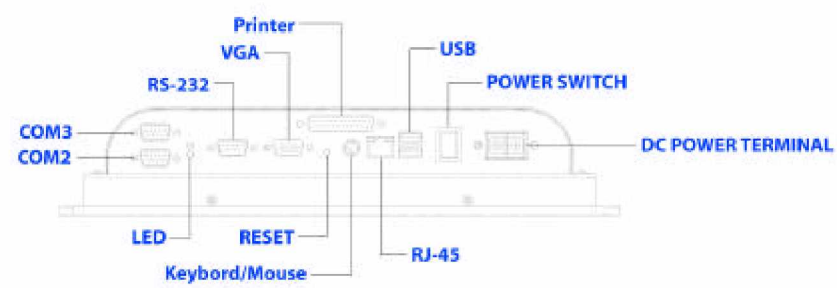


Unit: mm

Location of I/O Ports

Before starting to install software on your new Panel PC please spend some time to find out the exact location of connectors and HDD (if pre-installed). The front panel does not contain any indicators, switches, connectors or drive access. All these are to be found on the left and right side and on the rear of the system.

Default I/O



Connecting Peripherals

The user can use the I/O interfaces located at the backside of the chassis to connect external peripheral devices, such as a mouse, a keyboard, a monitor, serial devices or parallel printer etc. Before connection, make sure that the computer and the peripheral devices are turned off.

Connecting an external CRT

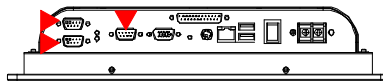
2907510 has a 15-pin analog RGB interface connector located at the rear side of the chassis

for connection a secondary display. The system can support simultaneous display on both its LCD display and on the external CRT display. Note that the preferred resolution is 1024 x 768 because this is what the LCD Panel needs to operate full screen.



External Serial Ports (RS-232/COM2/3)

The 2907510 logic board supports three onboard serial ports, all COM ports supports RS-232.



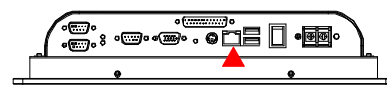
The external RS-232, COM2, COM3 are all D-SUB 9-pin connectors. To connect any serial device, follow the following instructions:

1. Turn off the Panel PC system and the serial devices.
2. Attach the interface cable of the serial device to the 9-pin D-SUB serial connector. Be sure to fasten the retaining screws.
3. Turn on the computer and the attached serial devices.
4. Refer to the serial device's manual for instruction to configure the operation environment to recognize the new attached devices.
5. If the serial device needs specified IRQ or address, you may need to run the CMOS setup to change the hardware device setup.

LAN Port

2907510 provides one 100/10 Base-T Ethernet (RJ-45) interface.

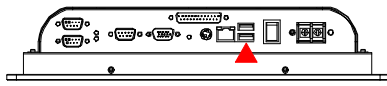
For network connection, follow the instructions below;



1. Turn off the Panel PC system and the Ethernet hubs.
2. Plug in one end of cable of a 100/10 Base-T hub to the system's RJ-45 jack.

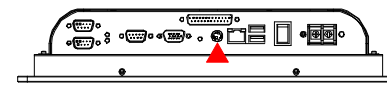
USB Ports

2907510 provides two external USB ports to connect to external USB devices. USB ports and devices are hotplug capable. Therefore any USB device can be connected at all time without the need to power down your system. Note that for many of these devices you will first have to install proper device drivers before they can be recognized by the system



PS/2 Keyboard/Mouse

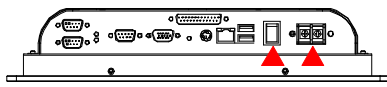
2907510 provides one standard PS/2 keyboard/mouse connectors located at the rear panel.



DC Power Input and Power Switch

One end of the power cable is fitted with a standard power connector that connects to 4-pin DC-In Jack.

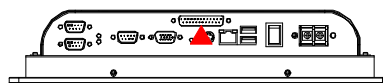
To connect the system to power, follow the following instructions :



- 1 Make the system power switched off.
- 2 Plug the circular connector firmly into the circular socket on the rear panel.
- 3 Connect the standard male plug to an electrical outlet.
- 4 For operation, power up the system.

Parallel Port

The 2907510 can support the latest EPP and ECP parallel port protocols to be used to connect a wide array of printers, ZIP drive, parallel scanner and any other parallel devices. The printer interface on the 2907510 is a 25-pin female D-SUB connector. To connect any parallel device, follow the steps below:



1. Turn off the Panel PC system and the parallel devices.
2. Plug in the male connector of the parallel device to the 25-pin female D-SUB connector and fasten the retaining screws.
3. Turn on the system and the attached parallel devices.
4. Refer to the parallel device's manual for instruction to configure the operation environment to recognize the new attached devices.
5. You may need to run the CMOS setup to change the hardware device setup.

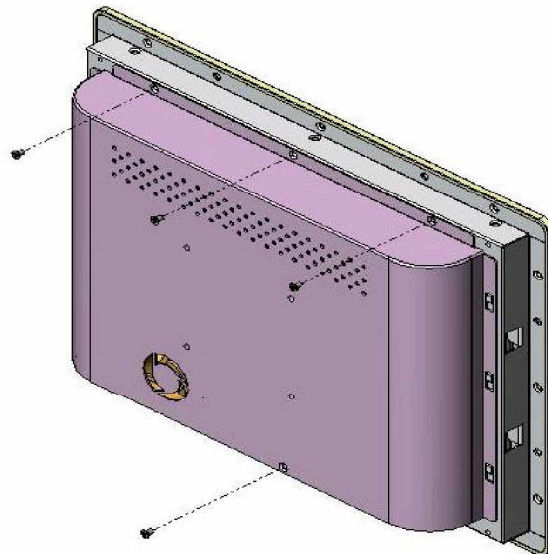
Hardware Installation

HDD installation

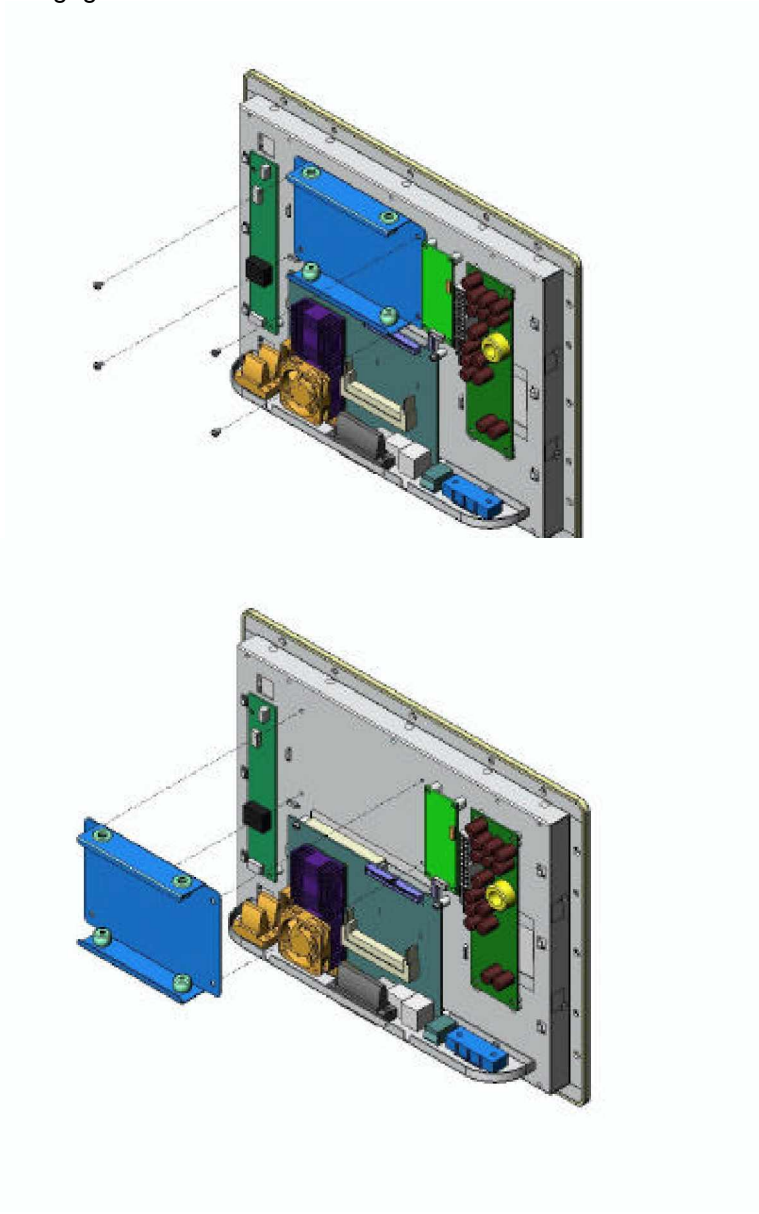
1. On the back of 2907510, locate the screws that secure the rear case.

Use screw driver to remove the screws. Keep the screws safely for later use.

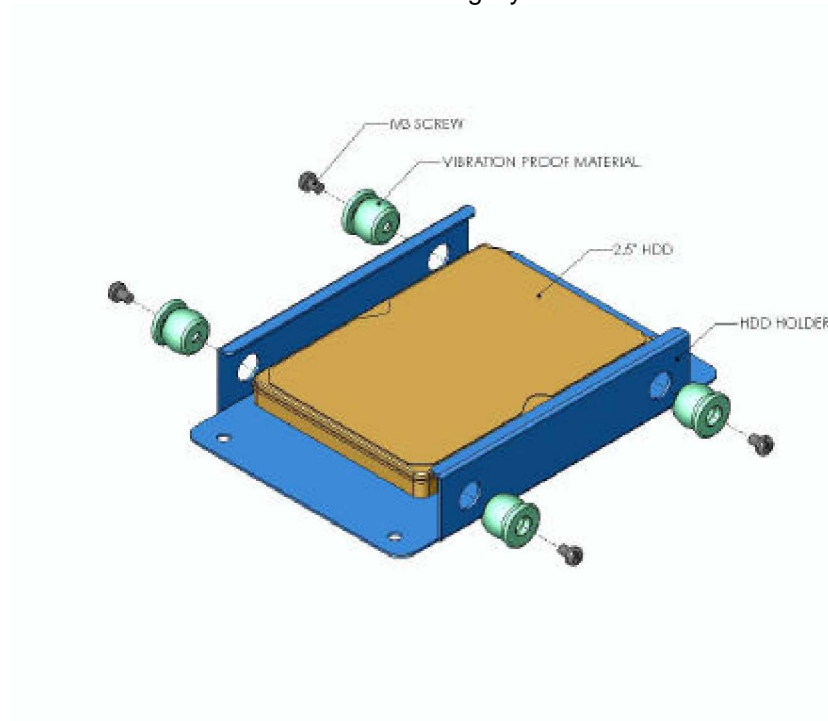
Pull the baffle slightly upward the main unit until it is disengaged from main unit.

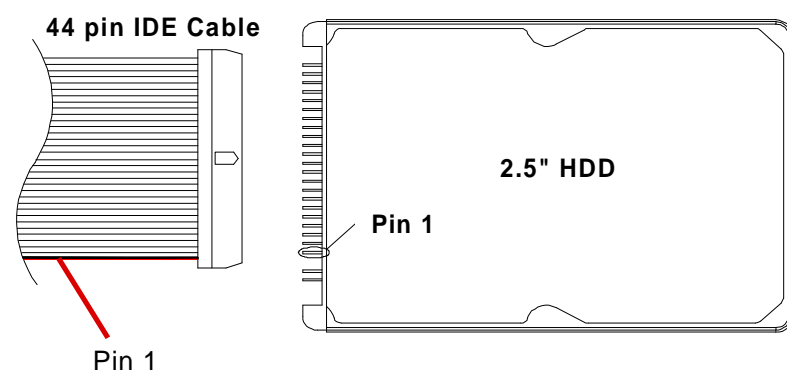


-
2. Pull the HDD Holders upward the main unit until they are disengaged from main unit.



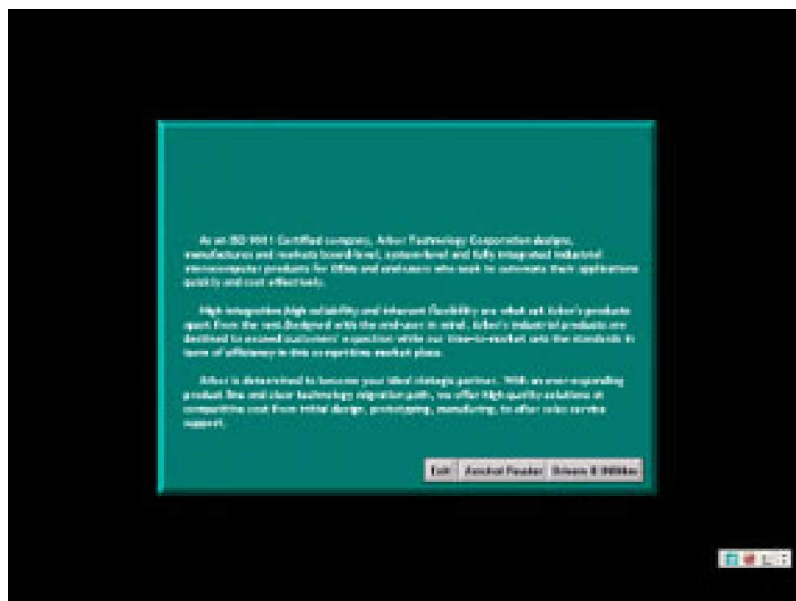
3. Place the 2.5" HDD between two HDD Holders and use the screwdriver to screw them on tightly.



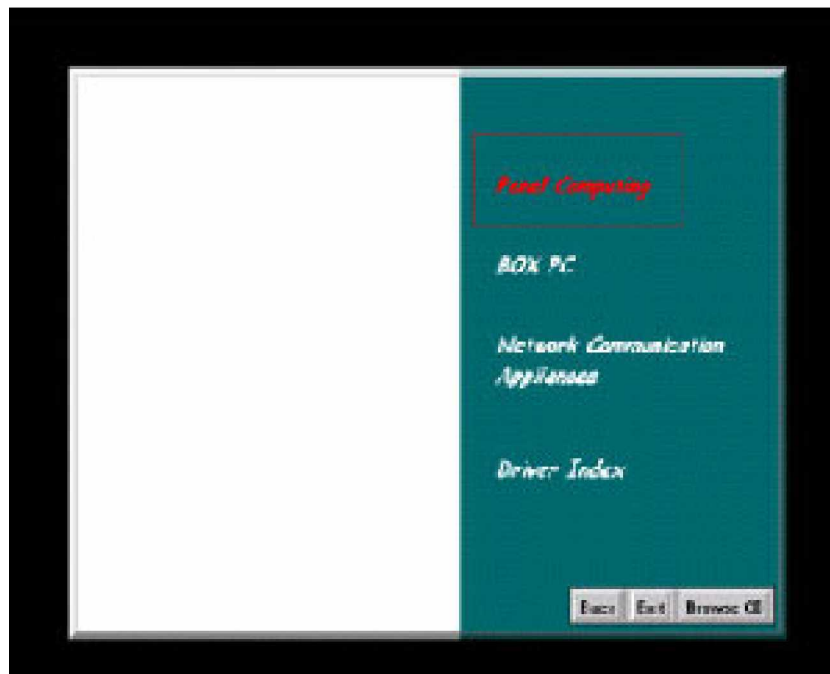


Note: Beware of the directions when wiring HDD and IDE cable.

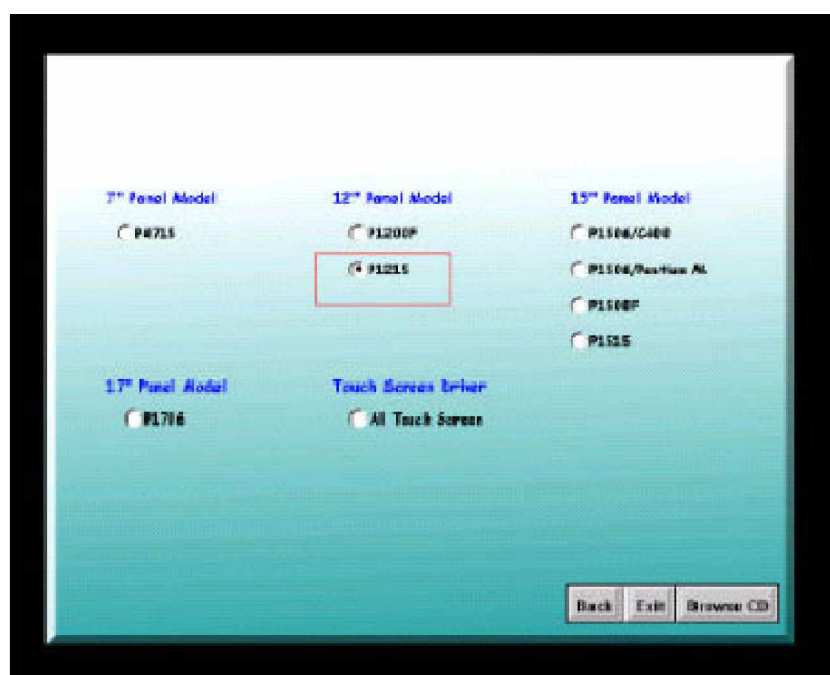
Panel PC Installation



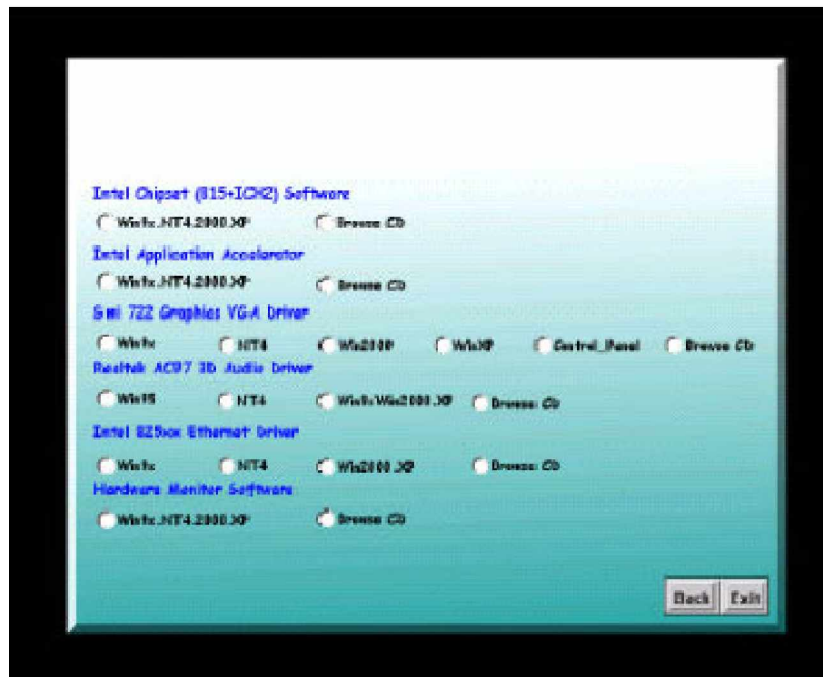
1. Choose Drivers & Utilities.



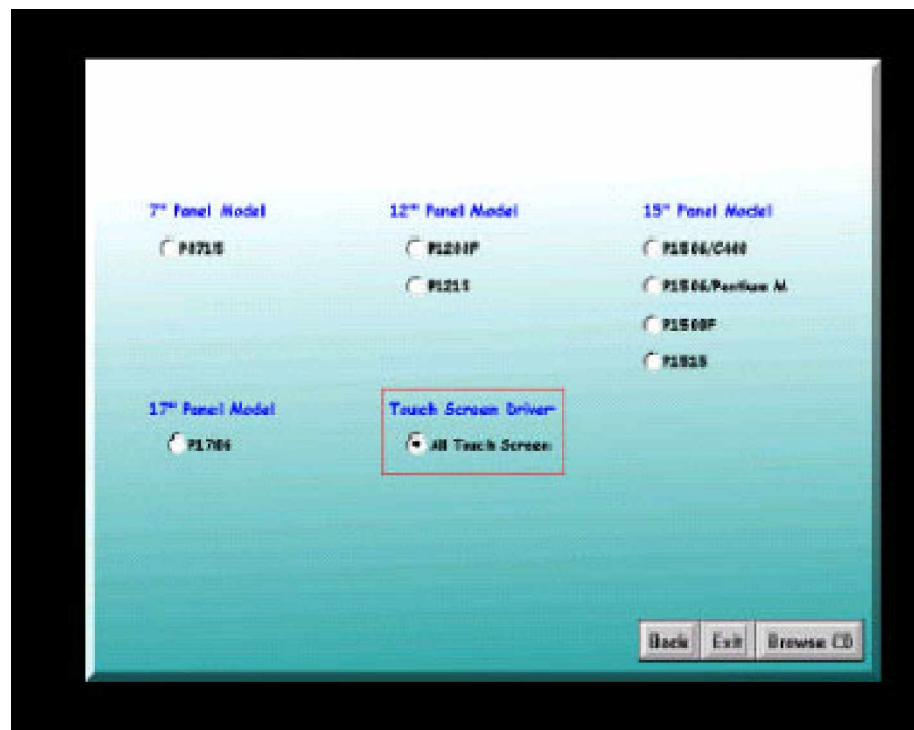
1.1 Select Panel Computing.



1.2 Select **2907510**.



1.3 Install All Drivers.



2. Install Touch Screen Driver.
 - 2.1 Select **All Touch Screen**.



2.2. Select **Fujitsu Touch Screen Driver** to install.
Please select **Browse CD** and double click
RTPsetup.exe file.

Any advice or comments about our products and service, or anything we can help you with please don't hesitate to contact with us. We will do our best to support you for your products, projects and business

Global American Inc.

Address: 17 Hampshire Drive
Hudson, NH 03051

TEL: Toll Free (U.S. Only) 800-833-8999
(603)886-3900

FAX: (603)886-4545

Website: <http://www.globalamericaninc.com>

E-Mail: salesinfo@globalamericaninc.com

